

# Induktive Näherungsschalter

## Inductive proximity switches



## Inhaltsverzeichnis

### ► 3-Leiter DC

#### Glatte Hülse

|                     |          |
|---------------------|----------|
| Ø 3 mm bis Ø 4 mm   | Seite 3  |
| Ø 6,5 mm            | Seite 5  |
| Ø 20 mm bis Ø 34 mm | Seite 10 |

#### Gewinde, zylindrisch

|     |         |
|-----|---------|
| M5  | Seite 4 |
| M8  | Seite 6 |
| M12 | Seite 7 |
| M18 | Seite 8 |
| M30 | Seite 9 |

#### Druckfeste Versionen

|                 |          |
|-----------------|----------|
| M12             | Seite 11 |
| Sonderbauformen | Seite 11 |

#### Quaderbauform

|                 |          |
|-----------------|----------|
| 5 x 5 x 40 mm   | Seite 12 |
| 8 x 8 x 40 mm   | Seite 12 |
| 12 x 12 x 55 mm | Seite 12 |
| 28 x 16 x 10 mm | Seite 13 |
| 40 x 26 x 12 mm | Seite 13 |

### ► 2-Leiter AC/DC

#### Gewinde, zylindrisch

|     |          |
|-----|----------|
| M12 | Seite 14 |
| M18 | Seite 14 |
| M30 | Seite 14 |

## Allgemeine Informationen/Glossar

|       |           |
|-------|-----------|
| ..... | Seite 15f |
|-------|-----------|

## Abkürzungsverzeichnis · Abbreviation listing

### Einbauart - Mounting

**b** = bündig einbaubar - flush mounting  
**nb** = nicht bündig einbaubar - non-flush mounting

### Schaltfunktion - Output type

**NO** = Schließer - Normally open contact  
**NC** = Öffner - Normally closed contact

### Gehäusematerial - Housing material

**A** = Gehäuse aus Aluminium - Aluminum housing  
**K** = Gehäuse aus Kunststoff - Plastic material housing  
**M** = Gehäuse aus Messing vernickelt - Brass housing  
**S** = Gehäuse aus Edelstahl - Stainless steel housing  
**T** = Gehäuse aus TEFLON® - TEFLON® housing

### Anschlussart - Connection

**A** = Anschlussraum - Connector box  
**I** = Innenliegender Stecker - Internal plug  
**K** = Kabel 2 m, PVC-Isolierung - PVC coated cable 2 m  
**S** = Stecker M8 oder M12 - Connector M8 or M12

## Table of Contents

### ► 3-wire DC

#### Smooth cylinder

|                    |         |
|--------------------|---------|
| Ø 3 to bis Ø 4 mm  | Page 3  |
| Ø 6,5 mm           | Page 5  |
| Ø 20 mm to Ø 34 mm | Page 10 |

#### Threaded cylinder

|     |        |
|-----|--------|
| M5  | Page 4 |
| M8  | Page 6 |
| M12 | Page 7 |
| M18 | Page 8 |
| M30 | Page 9 |

#### Pressure resistant versions

|                |         |
|----------------|---------|
| M12            | Page 11 |
| Special design | Page 11 |

#### Rectangular

|                 |         |
|-----------------|---------|
| 5 x 5 x 40 mm   | Page 12 |
| 8 x 8 x 40 mm   | Page 12 |
| 12 x 12 x 55 mm | Page 12 |
| 28 x 16 x 10 mm | Page 13 |
| 40 x 26 x 12 mm | Page 13 |

### ► 2-wire AC/DC

#### Threaded cylinder

|     |         |
|-----|---------|
| M12 | Page 14 |
| M18 | Page 14 |
| M30 | Page 14 |

## General Information/Glossary

|       |          |
|-------|----------|
| ..... | Page 15f |
|-------|----------|

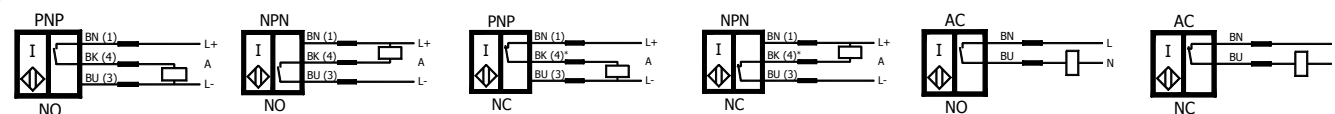
## Allgemeine technische Daten

- Betriebsspannung: DC 10...30 V --- AC 20...250 V
- Kurzschluss-, Überlast- und Verpolschutz (nur DC Versionen)
- Umgebungstemperatur: -25 °C ... +70 °C
- Schutzart IP 67

## General technical data

- Supply voltage: DC 10...30 V --- AC 20...250 V
- Short circuit, overload and reverse polarity protection (DC versions only)
- Ambient temperature: -25 °C ... +70 °C
- Enclosure rating IP 67

## Anschlussdiagramme · Connection diagrams



\*Stecker M12 = (2) \*Connector M12 = (2)

Aus dem umfangreichen DIETZ Produktsegment „Induktive Näherungsschalter“ sind eine Vielzahl weiterer Versionen mit speziellen Eigenschaften erhältlich: (nicht in dieser Broschüre, siehe separate Unterlagen)

- bis zu 4-fache Normschaltabstände (bis zu 160 mm)
- Analogausgänge 0-10 V / 4-20 mA
- Hoch- / Tieftemperaturfest bis zu +250 °C / -60 °C
- Druckfeste Ausführungen bis 500 bar
- Ganzmetall-Edelstahlhülsen, lebensmittelecht
- Kurzbauformen und kundenspezifische Ausführungen
- Schutzarten IP 68 & IP 69K

Beside the standards, DIETZ provides a variety of further versions with customized and special characteristics such as: (not in this brochure, see separate documentations)

- Versions with extended sensing distance (4x S<sub>n</sub>, up to 160 mm)
- Analog outputs 0-10 V / 4-20 mA
- Temperature ranges -60 °C to +250 °C
- Pressure resistant switches up to 500 bar
- Stainless steel full metal housings (e.g. for food industry)
- Short housings and miniature sized sensors
- Enclosure ratings IP 68 & IP 69K

### Sicherheitshinweis:

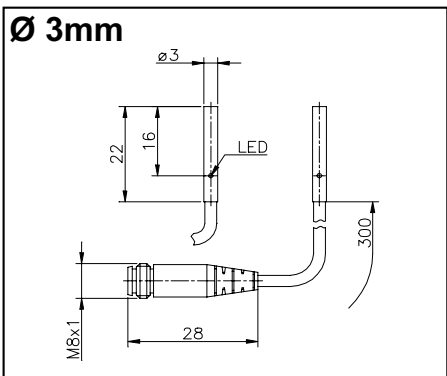
Der Einbau und elektrische Anschluss dieser Geräte darf nur durch Fachpersonal erfolgen. Anwendungen bei denen die Sicherheit von Personen von der Gerätefunktion abhängt sind unzulässig !

### Safety instruction:

Assembly and electrical connection of the devices may only be carried out by qualified personnel. They are not to be used for applications in which safety of persons depends on proper function of the devices !

Maßzeichnung  
scale drawing

| Typenbezeichnung<br><i>type</i> | Schalt-<br>abstand<br><i>sensing<br/>distance</i><br>mm | Schalt-<br>frequenz<br><i>switching<br/>frequency</i><br>Hz | Schalt-<br>funktion<br><i>output type</i> | Ausgangs-<br>strom<br><i>output<br/>current</i><br>mA | Gehäuse-<br>material<br><i>housing<br/>material</i> | Anschluss<br><i>connection</i> |
|---------------------------------|---|---|---|---|---|--------------------------------|
|---------------------------------|---|---|---|---|---|--------------------------------|

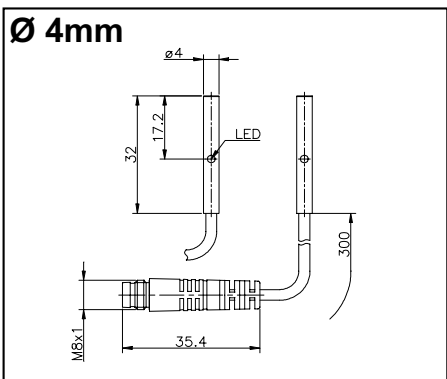


**mit 2m Kabel / with 2m cable:**

|                |       |      |        |     |   |   |
|----------------|-------|------|--------|-----|---|---|
| <b>I-62573</b> | 0,8 b | 3000 | PNP-NO | 100 | S | K |
|----------------|-------|------|--------|-----|---|---|

**mit 0,3m Kabel und Schraubstecker M8 / with 0,3m cable and plug M8:**

|                |       |      |        |     |   |   |
|----------------|-------|------|--------|-----|---|---|
| <b>I-62586</b> | 0,8 b | 3000 | PNP-NO | 100 | S | S |
|----------------|-------|------|--------|-----|---|---|

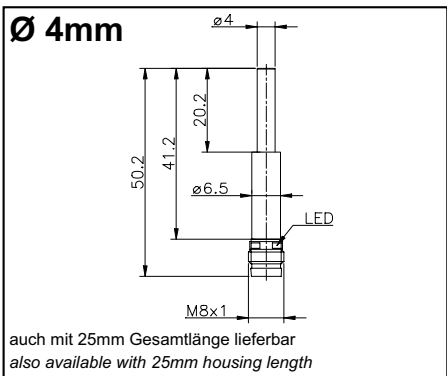


**mit 2m Kabel / with 2m cable:**

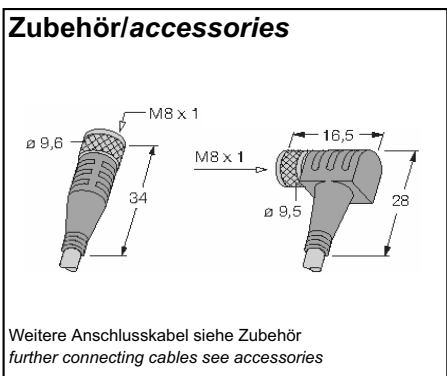
|                |       |      |        |     |   |   |
|----------------|-------|------|--------|-----|---|---|
| <b>I-10012</b> | 0,8 b | 2000 | PNP-NO | 125 | S | K |
| <b>I-10021</b> | 0,8 b | 2000 | PNP-NC | 125 | S | K |
| <b>I-10034</b> | 0,8 b | 2000 | NPN-NO | 125 | S | K |
| <b>I-10043</b> | 0,8 b | 2000 | NPN-NC | 125 | S | K |

**mit 0,3m Kabel und Schraubstecker M8 / with 0,3m cable and plug M8:**

|                |       |      |        |     |   |   |
|----------------|-------|------|--------|-----|---|---|
| <b>I-11024</b> | 0,8 b | 2000 | PNP-NO | 125 | S | S |
| <b>I-11025</b> | 0,8 b | 2000 | PNP-NC | 125 | S | S |
| <b>I-11026</b> | 0,8 b | 2000 | NPN-NO | 125 | S | S |
| <b>I-11027</b> | 0,8 b | 2000 | NPN-NC | 125 | S | S |



|                |       |      |        |     |   |   |
|----------------|-------|------|--------|-----|---|---|
| <b>I-10052</b> | 0,8 b | 2000 | PNP-NO | 125 | S | S |
| <b>I-10061</b> | 0,8 b | 2000 | PNP-NC | 125 | S | S |
| <b>I-10074</b> | 0,8 b | 2000 | NPN-NO | 125 | S | S |
| <b>I-10083</b> | 0,8 b | 2000 | NPN-NC | 125 | S | S |

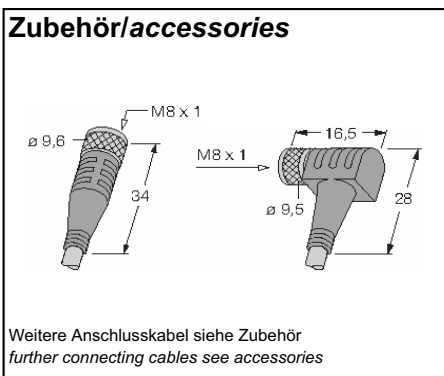
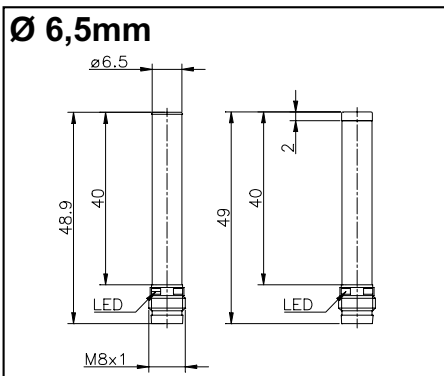
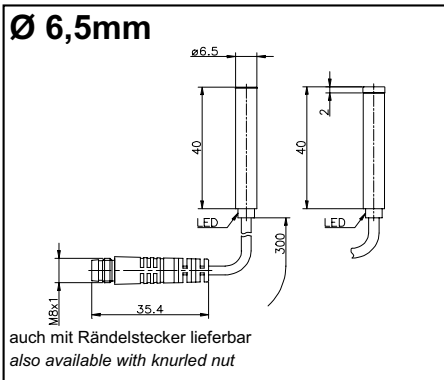
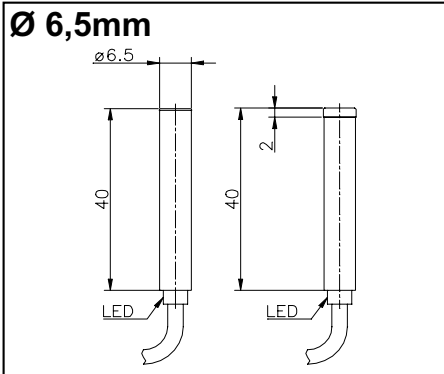


**Anschlusskabel / Connecting Cables**

| Gerade Kupplung M8 / straight connector M8:     |                               |
|---|-------------------------------|
| <b>M8-2,0-Z</b>                                 | 2 m PUR-Kabel / 2 m PUR-cable |
| <b>M8-5,0-Z</b>                                 | 5 m PUR-Kabel / 5 m PUR-cable |
| Abgewinkelte Kupplung M8 / angled connector M8: |                               |
| <b>M8-2,0-W</b>                                 | 2 m PUR-Kabel / 2 m PUR-cable |
| <b>M8-5,0-W</b>                                 | 5 m PUR-Kabel / 5 m PUR-cable |



Maßzeichnung  
scale drawing



| Typenbezeichnung<br>type | Schalt-<br>abstand<br>sensing<br>distance<br>mm | Schalt-<br>frequenz<br>switching<br>frequency<br>Hz | Schalt-<br>funktion<br>output type | Ausgangs-<br>strom<br>output<br>current<br>mA | Gehäuse-<br>material<br>housing<br>material | Anschluss<br>connection |
|--------------------------|---|---|------------------------------------|---|---|-------------------------|
|--------------------------|---|---|------------------------------------|---|---|-------------------------|

|         |       |      |        |     |   |   |
|---------|-------|------|--------|-----|---|---|
| I-14012 | 1,5 b | 2000 | PNP-NO | 150 | S | K |
| I-14021 | 1,5 b | 2000 | PNP-NC | 150 | S | K |
| I-14034 | 1,5 b | 2000 | NPN-NO | 150 | S | K |
| I-14043 | 1,5 b | 2000 | NPN-NC | 150 | S | K |
| I-14052 | 2 nb  | 800  | PNP-NO | 150 | S | K |
| I-14061 | 2 nb  | 800  | PNP-NC | 150 | S | K |
| I-14074 | 2 nb  | 800  | NPN-NO | 150 | S | K |
| I-14083 | 2 nb  | 800  | NPN-NC | 150 | S | K |

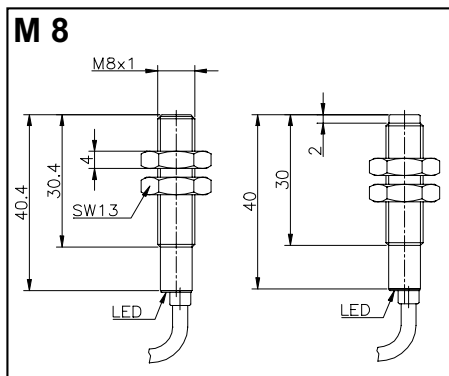
|         |       |      |        |     |   |   |
|---------|-------|------|--------|-----|---|---|
| I-14530 | 1,5 b | 2000 | PNP-NO | 150 | S | S |
| I-14531 | 1,5 b | 2000 | PNP-NC | 150 | S | S |
| I-14532 | 1,5 b | 2000 | NPN-NO | 150 | S | S |
| I-14533 | 1,5 b | 2000 | NPN-NC | 150 | S | S |
| I-14534 | 2 nb  | 800  | PNP-NO | 150 | S | S |
| I-14535 | 2 nb  | 800  | PNP-NC | 150 | S | S |
| I-14536 | 2 nb  | 800  | NPN-NO | 150 | S | S |
| I-14537 | 2 nb  | 800  | NPN-NC | 150 | S | S |

|         |       |      |        |     |   |   |
|---------|-------|------|--------|-----|---|---|
| I-14092 | 1,5 b | 2000 | PNP-NO | 150 | S | S |
| I-14101 | 1,5 b | 2000 | PNP-NC | 150 | S | S |
| I-14114 | 1,5 b | 2000 | NPN-NO | 150 | S | S |
| I-14123 | 1,5 b | 2000 | NPN-NC | 150 | S | S |
| I-14132 | 2 nb  | 800  | PNP-NO | 150 | S | S |
| I-14141 | 2 nb  | 800  | PNP-NC | 150 | S | S |
| I-14154 | 2 nb  | 800  | NPN-NO | 150 | S | S |
| I-14163 | 2 nb  | 800  | NPN-NC | 150 | S | S |

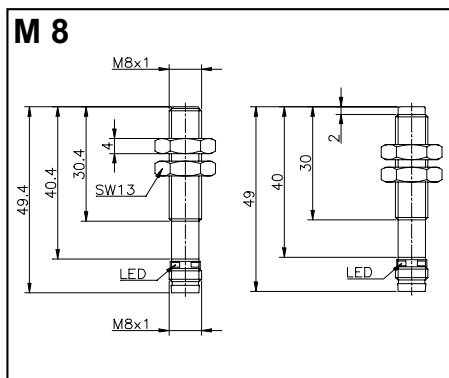
| Anschlusskabel / Connecting Cables                     |                               |  |  |  |  |  |
|--|-------------------------------|--|--|--|--|--|
| <b>Gerade Kupplung M8 / straight connector M8:</b>     |                               |  |  |  |  |  |
| M8-2,0-Z   | 2 m PUR-Kabel / 2 m PUR-cable |  |  |  |  |  |
| M8-5,0-Z   | 5 m PUR-Kabel / 5 m PUR-cable |  |  |  |  |  |
| <b>Abgewinkelte Kupplung M8 / angled connector M8:</b> |                               |  |  |  |  |  |
| M8-2,0-W   | 2 m PUR-Kabel / 2 m PUR-cable |  |  |  |  |  |
| M8-5,0-W   | 5 m PUR-Kabel / 5 m PUR-cable |  |  |  |  |  |

|                               |
|-------------------------------|
| Maßzeichnung<br>scale drawing |
|-------------------------------|

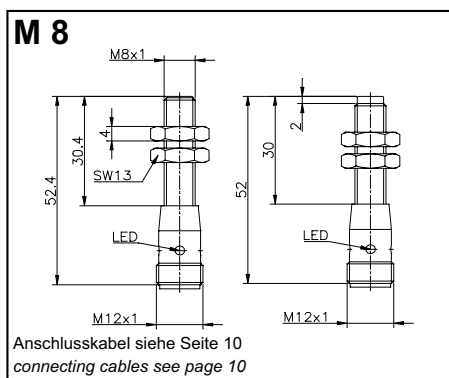
| Typenbezeichnung<br><i>type</i> | Schalt-<br>abstand<br><i>sensing<br/>distance</i><br>mm | Schalt-<br>frequenz<br><i>switching<br/>frequency</i><br>Hz | Schalt-<br>funktion<br><i>output type</i> | Ausgangs-<br>strom<br><i>output<br/>current</i><br>mA | Gehäuse-<br>material<br><i>housing<br/>material</i> | Anschluss<br><i>connection</i> |
|---------------------------------|---|---|---|---|---|--------------------------------|
|---------------------------------|---|---|---|---|---|--------------------------------|



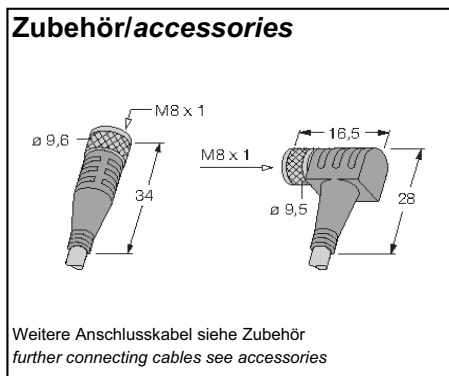
|         |       |      |        |     |   |   |
|---------|-------|------|--------|-----|---|---|
| I-20012 | 1,5 b | 2000 | PNP-NO | 150 | S | K |
| I-20021 | 1,5 b | 2000 | PNP-NC | 150 | S | K |
| I-20034 | 1,5 b | 2000 | NPN-NO | 150 | S | K |
| I-20043 | 1,5 b | 2000 | NPN-NC | 150 | S | K |
| I-20052 | 2 nb  | 800  | PNP-NO | 150 | S | K |
| I-20061 | 2 nb  | 800  | PNP-NC | 150 | S | K |
| I-20074 | 2 nb  | 800  | NPN-NO | 150 | S | K |
| I-20083 | 2 nb  | 800  | NPN-NC | 150 | S | K |



|         |       |      |        |     |   |   |
|---------|-------|------|--------|-----|---|---|
| I-20092 | 1,5 b | 2000 | PNP-NO | 150 | S | S |
| I-20101 | 1,5 b | 2000 | PNP-NC | 150 | S | S |
| I-20114 | 1,5 b | 2000 | NPN-NO | 150 | S | S |
| I-20123 | 1,5 b | 2000 | NPN-NC | 150 | S | S |
| I-20132 | 2 nb  | 800  | PNP-NO | 150 | S | S |
| I-20141 | 2 nb  | 800  | PNP-NC | 150 | S | S |
| I-20154 | 2 nb  | 800  | NPN-NO | 150 | S | S |
| I-20163 | 2 nb  | 800  | NPN-NC | 150 | S | S |

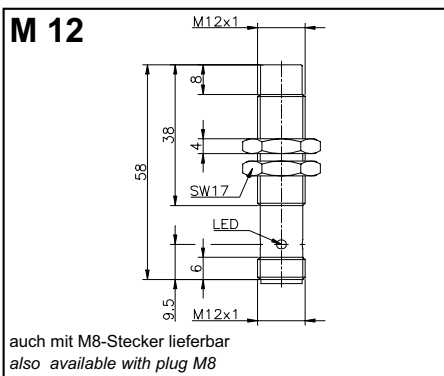
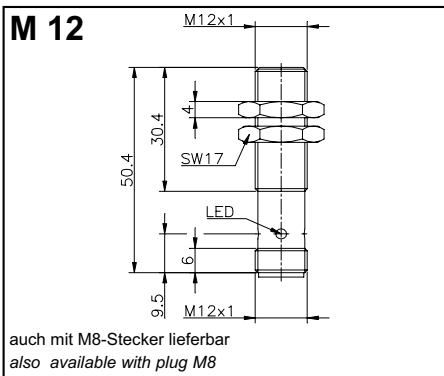
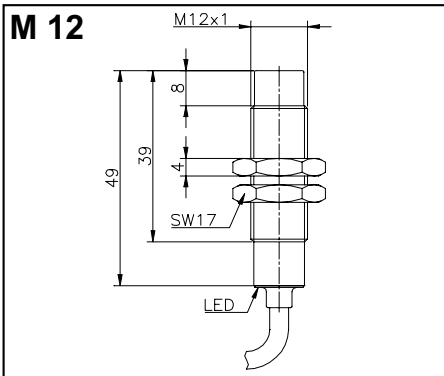
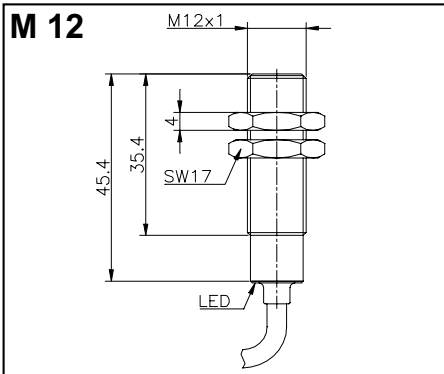


|         |       |      |        |     |   |   |
|---------|-------|------|--------|-----|---|---|
| I-25144 | 1,5 b | 2000 | PNP-NO | 150 | S | I |
| I-25145 | 1,5 b | 2000 | PNP-NC | 150 | S | I |
| I-25146 | 1,5 b | 2000 | NPN-NO | 150 | S | I |
| I-25147 | 1,5 b | 2000 | NPN-NC | 150 | S | I |
| I-25148 | 2 nb  | 800  | PNP-NO | 150 | S | I |
| I-25149 | 2 nb  | 800  | PNP-NC | 150 | S | I |
| I-25150 | 2 nb  | 800  | NPN-NO | 150 | S | I |
| I-25151 | 2 nb  | 800  | NPN-NC | 150 | S | I |



| Anschlusskabel / Connecting Cables                     |  |  |  |  |  |                               |
|--|--|--|--|--|--|-------------------------------|
| <b>Gerade Kupplung M8 / straight connector M8:</b>     |  |  |  |  |  |                               |
| M8-2,0-Z   |  |  |  |  |  | 2 m PUR-Kabel / 2 m PUR-cable |
| M8-5,0-Z   |  |  |  |  |  | 5 m PUR-Kabel / 5 m PUR-cable |
| <b>Abgewinkelte Kupplung M8 / angled connector M8:</b> |  |  |  |  |  |                               |
| M8-2,0-W   |  |  |  |  |  | 2 m PUR-Kabel / 2 m PUR-cable |
| M8-5,0-W   |  |  |  |  |  | 5 m PUR-Kabel / 5 m PUR-cable |

Maßzeichnung  
scale drawing



| Typenbezeichnung<br><i>type</i> | Schalt-<br>abstand<br><i>sensing<br/>distance</i><br>mm | Schalt-<br>frequenz<br><i>switching<br/>frequency</i><br>Hz | Schalt-<br>funktion<br><i>output type</i> | Ausgangs-<br>strom<br><i>output<br/>current</i><br>mA | Gehäuse-<br>material<br><i>housing<br/>material</i> | Anschluss<br><i>connection</i> |
|---------------------------------|---|---|---|---|---|--------------------------------|
|---------------------------------|---|---|---|---|---|--------------------------------|

|         |     |     |        |     |   |   |
|---------|-----|-----|--------|-----|---|---|
| I-30012 | 4 b | 800 | PNP-NO | 400 | S | K |
| I-30022 | 4 b | 800 | PNP-NO | 400 | M | K |
| I-30032 | 4 b | 800 | PNP-NO | 400 | K | K |
| I-30041 | 4 b | 800 | PNP-NC | 400 | S | K |
| I-30051 | 4 b | 800 | PNP-NC | 400 | M | K |
| I-30061 | 4 b | 800 | PNP-NC | 400 | K | K |
| I-30074 | 4 b | 800 | NPN-NO | 400 | S | K |
| I-30084 | 4 b | 800 | NPN-NO | 400 | M | K |
| I-30094 | 4 b | 800 | NPN-NO | 400 | K | K |
| I-30103 | 4 b | 800 | NPN-NC | 400 | S | K |
| I-30113 | 4 b | 800 | NPN-NC | 400 | M | K |
| I-30123 | 4 b | 800 | NPN-NC | 400 | K | K |

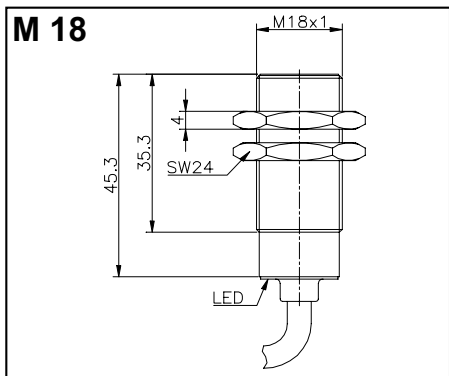
|         |      |     |        |     |   |   |
|---------|------|-----|--------|-----|---|---|
| I-35159 | 6 nb | 400 | PNP-NO | 400 | S | K |
| I-35160 | 6 nb | 400 | PNP-NO | 400 | M | K |
| I-35161 | 6 nb | 400 | PNP-NO | 400 | K | K |
| I-35162 | 6 nb | 400 | PNP-NC | 400 | S | K |
| I-35163 | 6 nb | 400 | PNP-NC | 400 | M | K |
| I-35164 | 6 nb | 400 | PNP-NC | 400 | K | K |
| I-35165 | 6 nb | 400 | NPN-NO | 400 | S | K |
| I-35166 | 6 nb | 400 | NPN-NO | 400 | M | K |
| I-35167 | 6 nb | 400 | NPN-NO | 400 | K | K |
| I-35168 | 6 nb | 400 | NPN-NC | 400 | S | K |
| I-35169 | 6 nb | 400 | NPN-NC | 400 | M | K |
| I-35170 | 6 nb | 400 | NPN-NC | 400 | K | K |

|         |     |     |        |     |   |   |
|---------|-----|-----|--------|-----|---|---|
| I-30492 | 4 b | 800 | PNP-NO | 400 | S | I |
| I-30502 | 4 b | 800 | PNP-NO | 400 | M | I |
| I-30272 | 4 b | 800 | PNP-NO | 400 | K | S |
| I-30521 | 4 b | 800 | PNP-NC | 400 | S | I |
| I-30531 | 4 b | 800 | PNP-NC | 400 | M | I |
| I-30301 | 4 b | 800 | PNP-NC | 400 | K | S |
| I-30554 | 4 b | 800 | NPN-NO | 400 | S | I |
| I-30564 | 4 b | 800 | NPN-NO | 400 | M | I |
| I-30334 | 4 b | 800 | NPN-NO | 400 | K | S |
| I-30583 | 4 b | 800 | NPN-NC | 400 | S | I |
| I-30593 | 4 b | 800 | NPN-NC | 400 | M | I |
| I-30363 | 4 b | 800 | NPN-NC | 400 | K | S |

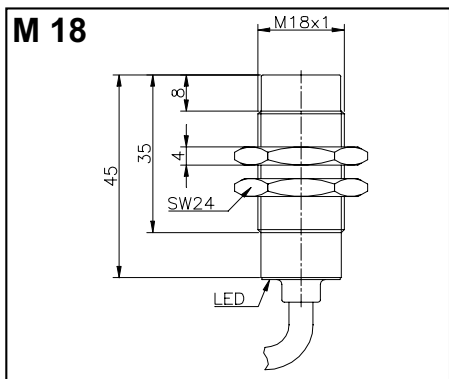
|         |      |     |        |     |   |   |
|---------|------|-----|--------|-----|---|---|
| I-35171 | 6 nb | 400 | PNP-NO | 400 | S | I |
| I-35172 | 6 nb | 400 | PNP-NO | 400 | M | I |
| I-35173 | 6 nb | 400 | PNP-NO | 400 | K | S |
| I-35174 | 6 nb | 400 | PNP-NC | 400 | S | I |
| I-35175 | 6 nb | 400 | PNP-NC | 400 | M | I |
| I-35176 | 6 nb | 400 | PNP-NC | 400 | K | S |
| I-35177 | 6 nb | 400 | NPN-NO | 400 | S | I |
| I-35178 | 6 nb | 400 | NPN-NO | 400 | M | I |
| I-35179 | 6 nb | 400 | NPN-NO | 400 | K | S |
| I-35180 | 6 nb | 400 | NPN-NC | 400 | S | I |
| I-35181 | 6 nb | 400 | NPN-NC | 400 | M | I |
| I-35182 | 6 nb | 400 | NPN-NC | 400 | K | S |

Maßzeichnung  
scale drawing

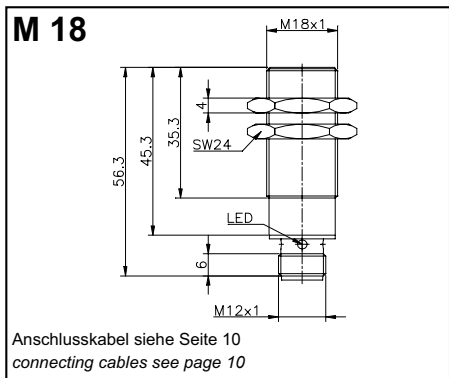
| Typenbezeichnung<br><i>type</i> | Schalt-<br>abstand<br><i>sensing<br/>distance</i><br>mm | Schalt-<br>frequenz<br><i>switching<br/>frequency</i><br>Hz | Schalt-<br>funktion<br><i>output type</i> | Ausgangs-<br>strom<br><i>output<br/>current</i><br>mA | Gehäuse-<br>material<br><i>housing<br/>material</i> | Anschluss<br><i>connection</i> |
|---------------------------------|---|---|---|---|---|--------------------------------|
|---------------------------------|---|---|---|---|---|--------------------------------|



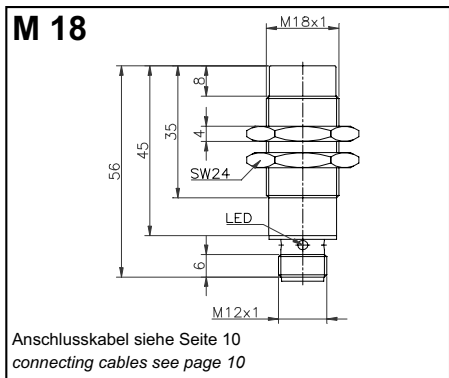
|         |     |     |        |     |   |   |
|---------|-----|-----|--------|-----|---|---|
| I-40012 | 6 b | 500 | PNP-NO | 400 | S | K |
| I-40022 | 6 b | 500 | PNP-NO | 400 | M | K |
| I-40032 | 6 b | 500 | PNP-NO | 400 | K | K |
| I-40041 | 6 b | 500 | PNP-NC | 400 | S | K |
| I-40051 | 6 b | 500 | PNP-NC | 400 | M | K |
| I-40061 | 6 b | 500 | PNP-NC | 400 | K | K |
| I-40074 | 6 b | 500 | NPN-NO | 400 | S | K |
| I-40084 | 6 b | 500 | NPN-NO | 400 | M | K |
| I-40094 | 6 b | 500 | NPN-NO | 400 | K | K |
| I-40103 | 6 b | 500 | NPN-NC | 400 | S | K |
| I-40113 | 6 b | 500 | NPN-NC | 400 | M | K |
| I-40123 | 6 b | 500 | NPN-NC | 400 | K | K |



|         |      |     |        |     |   |   |
|---------|------|-----|--------|-----|---|---|
| I-40132 | 8 nb | 300 | PNP-NO | 400 | S | K |
| I-40142 | 8 nb | 300 | PNP-NO | 400 | M | K |
| I-40152 | 8 nb | 300 | PNP-NO | 400 | K | K |
| I-40161 | 8 nb | 300 | PNP-NC | 400 | S | K |
| I-40171 | 8 nb | 300 | PNP-NC | 400 | M | K |
| I-40181 | 8 nb | 300 | PNP-NC | 400 | K | K |
| I-40194 | 8 nb | 300 | NPN-NO | 400 | S | K |
| I-40204 | 8 nb | 300 | NPN-NO | 400 | M | K |
| I-40214 | 8 nb | 300 | NPN-NO | 400 | K | K |
| I-40223 | 8 nb | 300 | NPN-NC | 400 | S | K |
| I-40233 | 8 nb | 300 | NPN-NC | 400 | M | K |
| I-40243 | 8 nb | 300 | NPN-NC | 400 | K | K |



|         |     |     |        |     |   |   |
|---------|-----|-----|--------|-----|---|---|
| I-40492 | 6 b | 500 | PNP-NO | 400 | S | I |
| I-40502 | 6 b | 500 | PNP-NO | 400 | M | I |
| I-40272 | 6 b | 500 | PNP-NO | 400 | K | S |
| I-40521 | 6 b | 500 | PNP-NC | 400 | S | I |
| I-40531 | 6 b | 500 | PNP-NC | 400 | M | I |
| I-40301 | 6 b | 500 | PNP-NC | 400 | K | S |
| I-40554 | 6 b | 500 | NPN-NO | 400 | S | I |
| I-40564 | 6 b | 500 | NPN-NO | 400 | M | I |
| I-40334 | 6 b | 500 | NPN-NO | 400 | K | S |
| I-40583 | 6 b | 500 | NPN-NC | 400 | S | I |
| I-40593 | 6 b | 500 | NPN-NC | 400 | M | I |
| I-40363 | 6 b | 500 | NPN-NC | 400 | K | S |

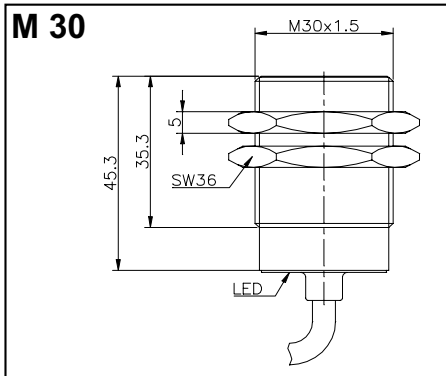


|         |      |     |        |     |   |   |
|---------|------|-----|--------|-----|---|---|
| I-40612 | 8 nb | 300 | PNP-NO | 400 | S | I |
| I-40622 | 8 nb | 300 | PNP-NO | 400 | M | I |
| I-40392 | 8 nb | 300 | PNP-NO | 400 | K | S |
| I-40641 | 8 nb | 300 | PNP-NC | 400 | S | I |
| I-40651 | 8 nb | 300 | PNP-NC | 400 | M | I |
| I-40421 | 8 nb | 300 | PNP-NC | 400 | K | S |
| I-40674 | 8 nb | 300 | NPN-NO | 400 | S | I |
| I-40684 | 8 nb | 300 | NPN-NO | 400 | M | I |
| I-40454 | 8 nb | 300 | NPN-NO | 400 | K | S |
| I-40703 | 8 nb | 300 | NPN-NC | 400 | S | I |
| I-40713 | 8 nb | 300 | NPN-NC | 400 | M | I |
| I-40483 | 8 nb | 300 | NPN-NC | 400 | K | S |

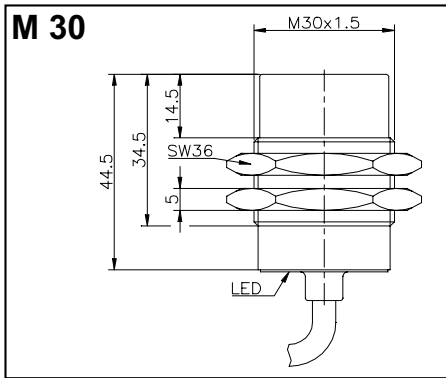


Maßzeichnung  
scale drawing

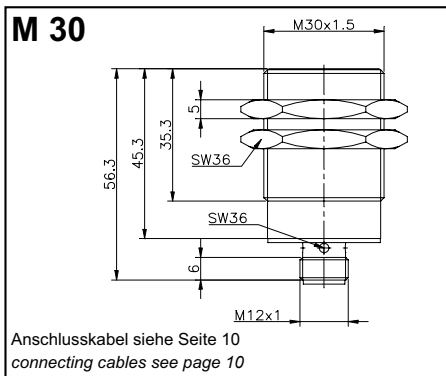
| Typenbezeichnung<br>type | Schalt-<br>abstand<br>sensing<br>distance<br>mm | Schalt-<br>frequenz<br>switching<br>frequency<br>Hz | Schalt-<br>funktion<br>output type | Ausgangs-<br>strom<br>output<br>current<br>mA | Gehäuse-<br>material<br>housing<br>material | Anschluss<br>connection |
|--------------------------|---|---|------------------------------------|---|---|-------------------------|
|--------------------------|---|---|------------------------------------|---|---|-------------------------|



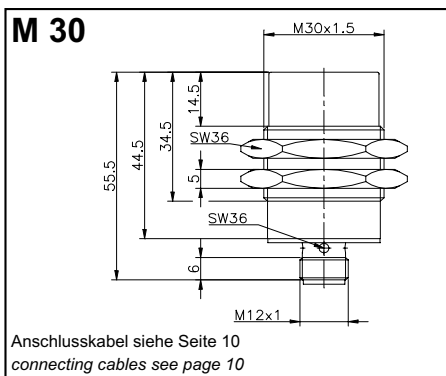
|         |      |     |        |     |   |   |
|---------|------|-----|--------|-----|---|---|
| I-50012 | 10 b | 300 | PNP-NO | 400 | S | K |
| I-50022 | 10 b | 300 | PNP-NO | 400 | M | K |
| I-50032 | 10 b | 300 | PNP-NO | 400 | K | K |
| I-50041 | 10 b | 300 | PNP-NC | 400 | S | K |
| I-50051 | 10 b | 300 | PNP-NC | 400 | M | K |
| I-50061 | 10 b | 300 | PNP-NC | 400 | K | K |
| I-50074 | 10 b | 300 | NPN-NO | 400 | S | K |
| I-50084 | 10 b | 300 | NPN-NO | 400 | M | K |
| I-50094 | 10 b | 300 | NPN-NO | 400 | K | K |
| I-50103 | 10 b | 300 | NPN-NC | 400 | S | K |
| I-50113 | 10 b | 300 | NPN-NC | 400 | M | K |
| I-50123 | 10 b | 300 | NPN-NC | 400 | K | K |



|         |       |     |        |     |   |   |
|---------|-------|-----|--------|-----|---|---|
| I-50132 | 15 nb | 100 | PNP-NO | 400 | S | K |
| I-50142 | 15 nb | 100 | PNP-NO | 400 | M | K |
| I-50152 | 15 nb | 100 | PNP-NO | 400 | K | K |
| I-50161 | 15 nb | 100 | PNP-NC | 400 | S | K |
| I-50171 | 15 nb | 100 | PNP-NC | 400 | M | K |
| I-50181 | 15 nb | 100 | PNP-NC | 400 | K | K |
| I-50194 | 15 nb | 100 | NPN-NO | 400 | S | K |
| I-50204 | 15 nb | 100 | NPN-NO | 400 | M | K |
| I-50214 | 15 nb | 100 | NPN-NO | 400 | K | K |
| I-50223 | 15 nb | 100 | NPN-NC | 400 | S | K |
| I-50233 | 15 nb | 100 | NPN-NC | 400 | M | K |
| I-50243 | 15 nb | 100 | NPN-NC | 400 | K | K |



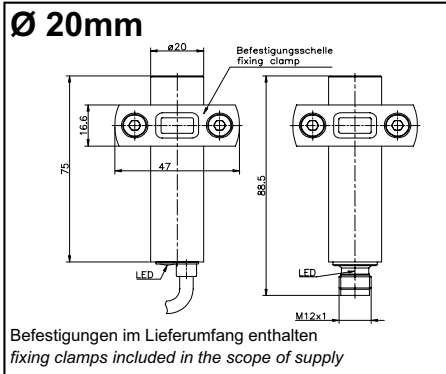
|         |      |     |        |     |   |   |
|---------|------|-----|--------|-----|---|---|
| I-50492 | 10 b | 300 | PNP-NO | 400 | S | I |
| I-50502 | 10 b | 300 | PNP-NO | 400 | M | I |
| I-50272 | 10 b | 300 | PNP-NO | 400 | K | S |
| I-50521 | 10 b | 300 | PNP-NC | 400 | S | I |
| I-50531 | 10 b | 300 | PNP-NC | 400 | M | I |
| I-50301 | 10 b | 300 | PNP-NC | 400 | K | S |
| I-50554 | 10 b | 300 | NPN-NO | 400 | S | I |
| I-50564 | 10 b | 300 | NPN-NO | 400 | M | I |
| I-50334 | 10 b | 300 | NPN-NO | 400 | K | S |
| I-50583 | 10 b | 300 | NPN-NC | 400 | S | I |
| I-50593 | 10 b | 300 | NPN-NC | 400 | M | I |
| I-50363 | 10 b | 300 | NPN-NC | 400 | K | S |



|         |       |     |        |     |   |   |
|---------|-------|-----|--------|-----|---|---|
| I-50612 | 15 nb | 100 | PNP-NO | 400 | S | I |
| I-50622 | 15 nb | 100 | PNP-NO | 400 | M | I |
| I-50392 | 15 nb | 100 | PNP-NO | 400 | K | S |
| I-50641 | 15 nb | 100 | PNP-NC | 400 | S | I |
| I-50651 | 15 nb | 100 | PNP-NC | 400 | M | I |
| I-50421 | 15 nb | 100 | PNP-NC | 400 | K | S |
| I-50674 | 15 nb | 100 | NPN-NO | 400 | S | I |
| I-50684 | 15 nb | 100 | NPN-NO | 400 | M | I |
| I-50454 | 15 nb | 100 | NPN-NO | 400 | K | S |
| I-50703 | 15 nb | 100 | NPN-NC | 400 | S | I |
| I-50713 | 15 nb | 100 | NPN-NC | 400 | M | I |
| I-50483 | 15 nb | 100 | NPN-NC | 400 | K | S |

Maßzeichnung  
scale drawing

| Typenbezeichnung<br><i>type</i> | Schalt-<br>abstand<br><i>sensing<br/>distance<br/>mm</i> | Schalt-<br>frequenz<br><i>switching<br/>frequency<br/>Hz</i> | Schalt-<br>funktion<br><i>output type</i> | Ausgangs-<br>strom<br><i>output<br/>current<br/>mA</i> | Gehäuse-<br>material<br><i>housing<br/>material</i> | Anschluss<br><i>connection</i> |
|---------------------------------|--|--|---|--|---|--------------------------------|
|---------------------------------|--|--|---|--|---|--------------------------------|

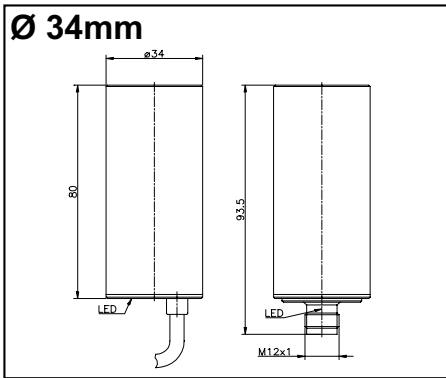


**mit 2m Kabel / with 2m cable:**

|                |       |     |        |     |   |   |
|----------------|-------|-----|--------|-----|---|---|
| <b>I-60012</b> | 10 nb | 300 | PNP-NO | 400 | K | K |
| <b>I-60021</b> | 10 nb | 300 | PNP-NC | 400 | K | K |
| <b>I-60034</b> | 10 nb | 300 | NPN-NO | 400 | K | K |
| <b>I-60043</b> | 10 nb | 300 | NPN-NC | 400 | K | K |

**mit Schraubstecker M12 / with plug M12:**

|                |       |     |        |     |   |   |
|----------------|-------|-----|--------|-----|---|---|
| <b>I-60052</b> | 10 nb | 300 | PNP-NO | 400 | K | S |
| <b>I-60061</b> | 10 nb | 300 | PNP-NC | 400 | K | S |
| <b>I-60074</b> | 10 nb | 300 | NPN-NO | 400 | K | S |
| <b>I-60083</b> | 10 nb | 300 | NPN-NC | 400 | K | S |

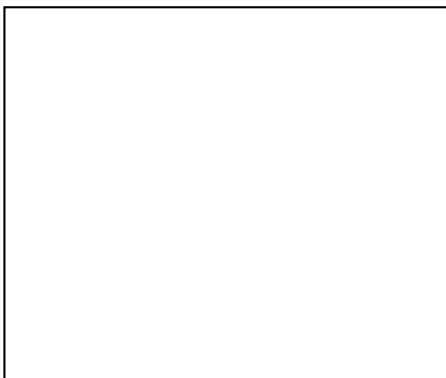


**mit 2m Kabel / with 2m cable:**

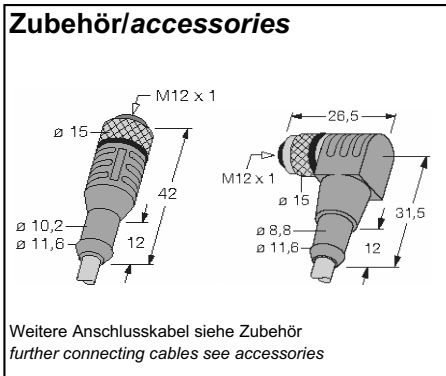
|                |       |     |        |     |   |   |
|----------------|-------|-----|--------|-----|---|---|
| <b>I-60092</b> | 20 nb | 100 | PNP-NO | 400 | K | K |
| <b>I-60101</b> | 20 nb | 100 | PNP-NC | 400 | K | K |
| <b>I-60114</b> | 20 nb | 100 | NPN-NO | 400 | K | K |
| <b>I-60123</b> | 20 nb | 100 | NPN-NC | 400 | K | K |

**mit Schraubstecker M12 / with plug M12:**

|                |       |     |        |     |   |   |
|----------------|-------|-----|--------|-----|---|---|
| <b>I-60132</b> | 20 nb | 100 | PNP-NO | 400 | K | S |
| <b>I-60141</b> | 20 nb | 100 | PNP-NC | 400 | K | S |
| <b>I-60154</b> | 20 nb | 100 | NPN-NO | 400 | K | S |
| <b>I-60163</b> | 20 nb | 100 | NPN-NC | 400 | K | S |



|  |  |  |  |  |  |  |
|--|--|--|--|--|--|--|
|  |  |  |  |  |  |  |
|  |  |  |  |  |  |  |
|  |  |  |  |  |  |  |
|  |  |  |  |  |  |  |
|  |  |  |  |  |  |  |
|  |  |  |  |  |  |  |
|  |  |  |  |  |  |  |
|  |  |  |  |  |  |  |
|  |  |  |  |  |  |  |
|  |  |  |  |  |  |  |
|  |  |  |  |  |  |  |
|  |  |  |  |  |  |  |
|  |  |  |  |  |  |  |
|  |  |  |  |  |  |  |
|  |  |  |  |  |  |  |
|  |  |  |  |  |  |  |
|  |  |  |  |  |  |  |
|  |  |  |  |  |  |  |
|  |  |  |  |  |  |  |
|  |  |  |  |  |  |  |
|  |  |  |  |  |  |  |



**Anschlusskabel / Connecting Cables**

| Gerade Kupplung M12 / straight connector M12:     |                               |  |  |  |  |  |
|---|-------------------------------|--|--|--|--|--|
| <b>M12-2,0-Z</b>                                  | 2 m PUR-Kabel / 2 m PUR-cable |  |  |  |  |  |
| <b>M12-5,0-Z</b>                                  | 5 m PUR-Kabel / 5 m PUR-cable |  |  |  |  |  |
| Abgewinkelte Kupplung M12 / angled connector M12: |                               |  |  |  |  |  |
| <b>M12-2,0-W</b>                                  | 2 m PUR-Kabel / 2 m PUR-cable |  |  |  |  |  |
| <b>M12-5,0-W</b>                                  | 5 m PUR-Kabel / 5 m PUR-cable |  |  |  |  |  |

|                                      |
|--------------------------------------|
| Maßzeichnung<br><i>scale drawing</i> |
|--------------------------------------|

**M 12**

Anschlusskabel siehe Seite 10  
*connecting cables see page 10*

| Typenbezeichnung<br><i>type</i> | Schalt-<br>abstand<br><i>sensing<br/>distance</i><br>mm | Schalt-<br>frequenz<br><i>switching<br/>frequency</i><br>Hz | Schalt-<br>funktion<br><i>output type</i> | Ausgangs-<br>strom<br><i>output<br/>current</i><br>mA | Gehäuse-<br>material<br><i>housing<br/>material</i> | Anschluss<br><i>connection</i> |
|---------------------------------|---|---|---|---|---|--------------------------------|
| <b>I-62594</b>                  | 2 b   | 40  | PNP-NO                                    | 200   | S   | I                              |
| <b>I-62705</b>                  | 2 b   | 40  | PNP-NC                                    | 200   | S   | I                              |
|                                 |   |   |   |   |   |                                |
|                                 |   |   |   |   |   |                                |
|                                 |   |   |   |   |   |                                |
|                                 |   |   |   |   |   |                                |
|                                 |   |   |   |   |   |                                |
|                                 |   |   |   |   |   |                                |
|                                 |   |   |   |   |   |                                |
|                                 |   |   |   |   |   |                                |
|                                 |   |   |   |   |   |                                |

**M 12**

Anschlusskabel siehe Seite 10  
*connecting cables see page 10*

**Gesamtlänge 68mm / overall length 68mm:**

|                |     |    |        |     |   |   |
|----------------|-----|----|--------|-----|---|---|
| <b>I-62750</b> | 2 b | 40 | PNP-NO | 200 | S | I |
|                |     |    |        |     |   |   |
|                |     |    |        |     |   |   |

**Gesamtlänge 92mm / overall length 92mm:**

|                |     |    |        |     |   |   |
|----------------|-----|----|--------|-----|---|---|
| <b>I-62663</b> | 2 b | 40 | PNP-NO | 200 | S | I |
|                |     |    |        |     |   |   |
|                |     |    |        |     |   |   |

**M 12**

Anschlusskabel siehe Seite 10  
*connecting cables see page 10*

|                |     |    |        |     |   |   |
|----------------|-----|----|--------|-----|---|---|
| <b>I-62751</b> | 2 b | 40 | PNP-NO | 200 | S | I |
|                |     |    |        |     |   |   |
|                |     |    |        |     |   |   |
|                |     |    |        |     |   |   |
|                |     |    |        |     |   |   |
|                |     |    |        |     |   |   |
|                |     |    |        |     |   |   |
|                |     |    |        |     |   |   |
|                |     |    |        |     |   |   |
|                |     |    |        |     |   |   |

**mit 2m Kabel / with 2m cable:**

|                |     |    |        |     |   |   |
|----------------|-----|----|--------|-----|---|---|
| <b>I-62842</b> | 3 b | 20 | PNP-NO | 400 | S | K |
|                |     |    |        |     |   |   |
|                |     |    |        |     |   |   |

**mit Rechteck-Steckverbinder zum Verlöten  
with rectangular connector - solder**

|                |     |    |        |     |   |   |
|----------------|-----|----|--------|-----|---|---|
| <b>I-62511</b> | 3 b | 20 | PNP-NO | 400 | S | S |
|                |     |    |        |     |   |   |
|                |     |    |        |     |   |   |

Maßzeichnung  
scale drawing

| Typenbezeichnung<br><i>type</i> | Schalt-<br>abstand<br><i>sensing<br/>distance</i><br>mm | Schalt-<br>frequenz<br><i>switching<br/>frequency</i><br>Hz | Schalt-<br>funktion<br><i>output type</i> | Ausgangs-<br>strom<br><i>output<br/>current</i><br>mA | Gehäuse-<br>material<br><i>housing<br/>material</i> | Anschluss<br><i>connection</i> |
|---------------------------------|---|---|---|---|---|--------------------------------|
|---------------------------------|---|---|---|---|---|--------------------------------|

**5x5x40mm**

Anschlusskabel siehe Seite 6  
*connecting cables see page 6*

**mit 2m Kabel / with 2m cable:**

|                |     |      |        |     |   |   |
|----------------|-----|------|--------|-----|---|---|
| <b>I-62650</b> | 1 b | 2000 | PNP-NO | 125 | A | K |
| <b>I-62755</b> | 1 b | 2000 | PNP-NC | 125 | A | K |

**mit 0,3m Kabel und Schraubstecker M8 / with 0,3 m cable and plug M8:**

|                |     |      |        |     |   |   |
|----------------|-----|------|--------|-----|---|---|
| <b>I-62756</b> | 1 b | 2000 | PNP-NO | 125 | A | S |
| <b>I-62757</b> | 1 b | 2000 | PNP-NC | 125 | A | S |

**8x8x40mm Aluminium / aluminum**

Anschlusskabel siehe Seite 6  
*connecting cables see page 6*

**mit 2m Kabel / with 2m cable:**

|                |       |      |        |     |   |   |
|----------------|-------|------|--------|-----|---|---|
| <b>I-60452</b> | 1,5 b | 2000 | PNP-NO | 150 | A | K |
| <b>I-60461</b> | 1,5 b | 2000 | PNP-NC | 150 | A | K |
| <b>I-60474</b> | 1,5 b | 2000 | NPN-NO | 150 | A | K |
| <b>I-60483</b> | 1,5 b | 2000 | NPN-NC | 150 | A | K |

**mit Schraubstecker M8 / with plug M8:**

|                |       |      |        |     |   |   |
|----------------|-------|------|--------|-----|---|---|
| <b>I-60492</b> | 1,5 b | 2000 | PNP-NO | 150 | A | S |
| <b>I-60501</b> | 1,5 b | 2000 | PNP-NC | 150 | A | S |
| <b>I-60514</b> | 1,5 b | 2000 | NPN-NO | 150 | A | S |
| <b>I-60523</b> | 1,5 b | 2000 | NPN-NC | 150 | A | S |

**8x8x40mm Kunststoff / plastic**

Anschlusskabel siehe Seite 6  
*connecting cables see page 6*

**mit 2m Kabel / with 2m cable:**

|                |       |      |        |     |   |   |
|----------------|-------|------|--------|-----|---|---|
| <b>I-62532</b> | 1,5 b | 2000 | PNP-NO | 150 | K | K |
| <b>I-62533</b> | 1,5 b | 2000 | PNP-NC | 150 | K | K |
| <b>I-62534</b> | 1,5 b | 2000 | NPN-NO | 150 | K | K |
| <b>I-62535</b> | 1,5 b | 2000 | NPN-NC | 150 | K | K |

**mit Schraubstecker M8 / with plug M8:**

|                |       |      |        |     |   |   |
|----------------|-------|------|--------|-----|---|---|
| <b>I-62536</b> | 1,5 b | 2000 | PNP-NO | 150 | K | S |
| <b>I-62537</b> | 1,5 b | 2000 | PNP-NC | 150 | K | S |
| <b>I-62538</b> | 1,5 b | 2000 | NPN-NO | 150 | K | S |
| <b>I-62539</b> | 1,5 b | 2000 | NPN-NC | 150 | K | S |

**12x12x55mm**

Anschlusskabel siehe Seite 6  
*connecting cables see page 6*

**mit 2m Kabel / with 2m cable:**

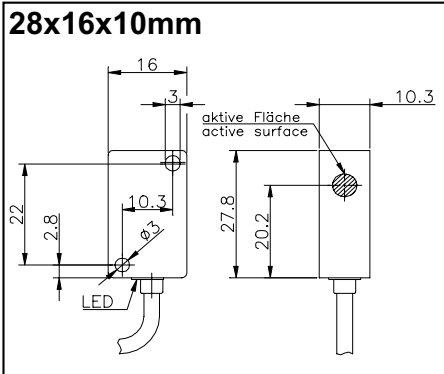
|                |     |     |        |     |   |   |
|----------------|-----|-----|--------|-----|---|---|
| <b>I-62758</b> | 4 b | 800 | PNP-NO | 200 | A | K |
| <b>I-62759</b> | 4 b | 800 | PNP-NC | 200 | A | K |

**mit Schraubstecker M8 / with plug M8:**

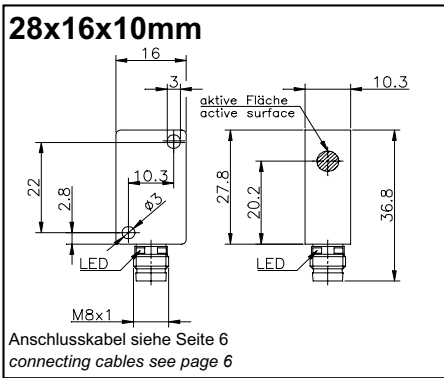
|                |     |     |        |     |   |   |
|----------------|-----|-----|--------|-----|---|---|
| <b>I-62754</b> | 4 b | 800 | PNP-NO | 200 | A | S |
| <b>I-62761</b> | 4 b | 800 | PNP-NC | 200 | A | S |

Maßzeichnung  
scale drawing

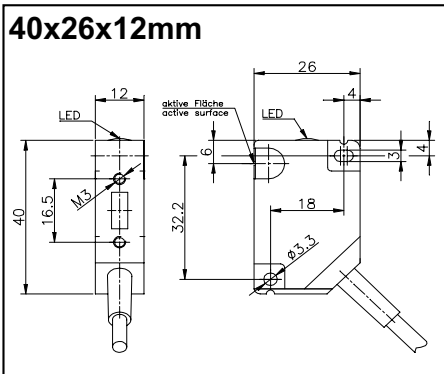
| Typenbezeichnung<br>type | Schalt-<br>abstand<br>sensing<br>distance<br>mm | Schalt-<br>frequenz<br>switching<br>frequency<br>Hz | Schalt-<br>funktion<br>output type | Ausgangs-<br>strom<br>output<br>current<br>mA | Gehäuse-<br>material<br>housing<br>material | Anschluss<br>connection |
|--------------------------|---|---|------------------------------------|---|---|-------------------------|
|--------------------------|---|---|------------------------------------|---|---|-------------------------|



|                |     |     |        |     |   |   |
|----------------|-----|-----|--------|-----|---|---|
| <b>I-62585</b> | 2 b | 800 | PNP-NO | 150 | K | K |
| <b>I-62671</b> | 2 b | 800 | PNP-NC | 150 | K | K |
| <b>I-62547</b> | 2 b | 800 | NPN-NO | 150 | K | K |
| <b>I-62584</b> | 2 b | 800 | NPN-NC | 150 | K | K |
|                |     |     |        |     |   |   |
|                |     |     |        |     |   |   |
|                |     |     |        |     |   |   |
|                |     |     |        |     |   |   |
|                |     |     |        |     |   |   |
|                |     |     |        |     |   |   |
|                |     |     |        |     |   |   |
|                |     |     |        |     |   |   |

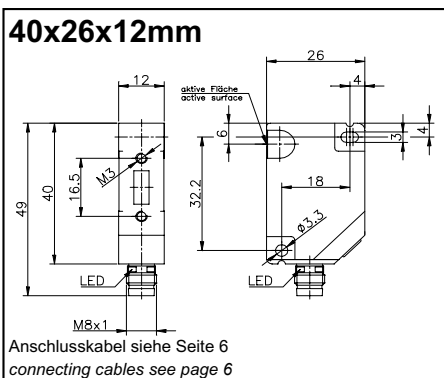


|                |     |     |        |     |   |   |
|----------------|-----|-----|--------|-----|---|---|
| <b>I-62574</b> | 2 b | 800 | PNP-NO | 150 | K | S |
| <b>I-62770</b> | 2 b | 800 | PNP-NC | 150 | K | S |
| <b>I-62554</b> | 2 b | 800 | NPN-NO | 150 | K | S |
| <b>I-62578</b> | 2 b | 800 | NPN-NC | 150 | K | S |
|                |     |     |        |     |   |   |
|                |     |     |        |     |   |   |
|                |     |     |        |     |   |   |
|                |     |     |        |     |   |   |
|                |     |     |        |     |   |   |
|                |     |     |        |     |   |   |
|                |     |     |        |     |   |   |
|                |     |     |        |     |   |   |



mit 2m Kabel / with 2m cable:

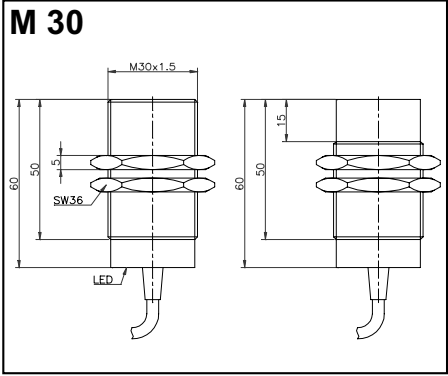
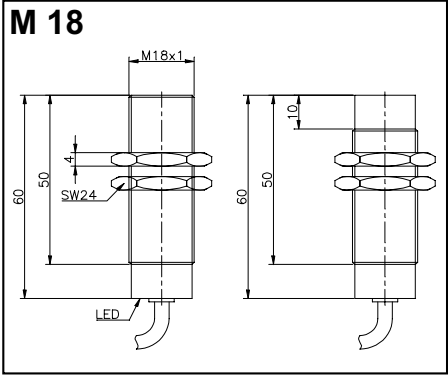
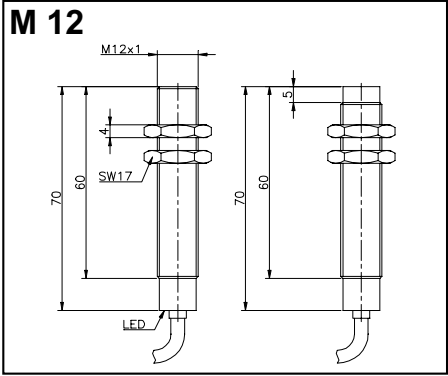
|                |      |     |        |     |   |   |
|----------------|------|-----|--------|-----|---|---|
| <b>I-60292</b> | 2 b  | 800 | PNP-NO | 400 | K | K |
| <b>I-60301</b> | 2 b  | 800 | PNP-NC | 400 | K | K |
| <b>I-60314</b> | 2 b  | 800 | NPN-NO | 400 | K | K |
| <b>I-60323</b> | 2 b  | 800 | NPN-NC | 400 | K | K |
| <b>I-60332</b> | 4 nb | 400 | PNP-NO | 400 | K | K |
| <b>I-60341</b> | 4 nb | 400 | PNP-NC | 400 | K | K |
| <b>I-60354</b> | 4 nb | 400 | NPN-NO | 400 | K | K |
| <b>I-60363</b> | 4 nb | 400 | NPN-NC | 400 | K | K |
|                |      |     |        |     |   |   |
|                |      |     |        |     |   |   |
|                |      |     |        |     |   |   |
|                |      |     |        |     |   |   |



mit Schraubstecker M8 / with plug M8:

|                |      |     |        |     |   |   |
|----------------|------|-----|--------|-----|---|---|
| <b>I-60372</b> | 2 b  | 800 | PNP-NO | 400 | K | S |
| <b>I-60381</b> | 2 b  | 800 | PNP-NC | 400 | K | S |
| <b>I-60394</b> | 2 b  | 800 | NPN-NO | 400 | K | S |
| <b>I-60403</b> | 2 b  | 800 | NPN-NC | 400 | K | S |
| <b>I-60412</b> | 4 nb | 400 | PNP-NO | 400 | K | S |
| <b>I-60421</b> | 4 nb | 400 | PNP-NC | 400 | K | S |
| <b>I-60434</b> | 4 nb | 400 | NPN-NO | 400 | K | S |
| <b>I-60443</b> | 4 nb | 400 | NPN-NC | 400 | K | S |
|                |      |     |        |     |   |   |
|                |      |     |        |     |   |   |
|                |      |     |        |     |   |   |
|                |      |     |        |     |   |   |

Maßzeichnung  
scale drawing

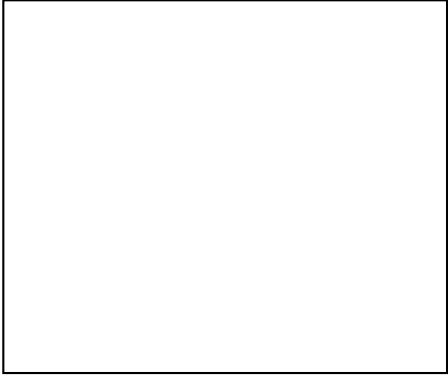


| Typenbezeichnung<br>type | Schalt-<br>abstand<br>sensing<br>distance<br>mm | Schalt-<br>frequenz<br>switching<br>frequency<br>Hz | Schalt-<br>funktion<br>output type | Ausgangs-<br>strom<br>output<br>current<br>mA | Gehäuse-<br>material<br>housing<br>material | Anschluss<br>connection |
|--------------------------|---|---|------------------------------------|---|---|-------------------------|
|--------------------------|---|---|------------------------------------|---|---|-------------------------|

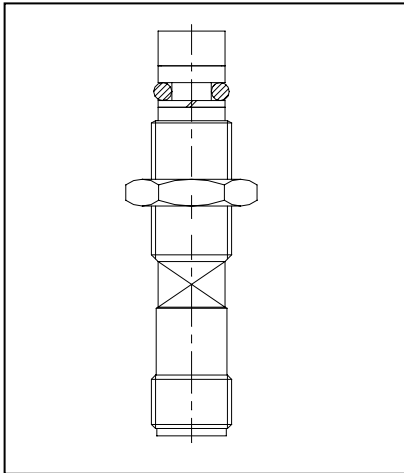
|                |      |        |    |     |   |   |
|----------------|------|--------|----|-----|---|---|
| <b>I-67543</b> | 2 b  | 25/400 | NO | 200 | K | K |
| <b>I-67544</b> | 2 b  | 25/400 | NC | 200 | K | K |
| <b>I-67545</b> | 4 nb | 25/300 | NO | 200 | K | K |
| <b>I-67546</b> | 4 nb | 25/300 | NC | 200 | K | K |
|                |      |        |    |     |   |   |
|                |      |        |    |     |   |   |
|                |      |        |    |     |   |   |
|                |      |        |    |     |   |   |
|                |      |        |    |     |   |   |
|                |      |        |    |     |   |   |
|                |      |        |    |     |   |   |
|                |      |        |    |     |   |   |

|                |      |        |    |     |   |   |
|----------------|------|--------|----|-----|---|---|
| <b>I-67547</b> | 5 b  | 25/200 | NO | 200 | M | K |
| <b>I-67548</b> | 5 b  | 25/200 | NC | 200 | M | K |
| <b>I-67549</b> | 8 nb | 25/100 | NO | 200 | M | K |
| <b>I-67550</b> | 8 nb | 25/100 | NC | 200 | M | K |
|                |      |        |    |     |   |   |
|                |      |        |    |     |   |   |
|                |      |        |    |     |   |   |
|                |      |        |    |     |   |   |
|                |      |        |    |     |   |   |
|                |      |        |    |     |   |   |
|                |      |        |    |     |   |   |
|                |      |        |    |     |   |   |

|                |       |        |    |     |   |   |
|----------------|-------|--------|----|-----|---|---|
| <b>I-67551</b> | 10 b  | 25/100 | NO | 200 | M | K |
| <b>I-67552</b> | 10 b  | 25/100 | NC | 200 | M | K |
| <b>I-67553</b> | 15 nb | 25/75  | NO | 200 | M | K |
| <b>I-67554</b> | 15 nb | 25/75  | NC | 200 | M | K |
|                |       |        |    |     |   |   |
|                |       |        |    |     |   |   |
|                |       |        |    |     |   |   |
|                |       |        |    |     |   |   |
|                |       |        |    |     |   |   |
|                |       |        |    |     |   |   |
|                |       |        |    |     |   |   |
|                |       |        |    |     |   |   |



|  |  |  |  |  |  |  |
|--|--|--|--|--|--|--|
|  |  |  |  |  |  |  |
|  |  |  |  |  |  |  |
|  |  |  |  |  |  |  |
|  |  |  |  |  |  |  |
|  |  |  |  |  |  |  |
|  |  |  |  |  |  |  |
|  |  |  |  |  |  |  |
|  |  |  |  |  |  |  |
|  |  |  |  |  |  |  |
|  |  |  |  |  |  |  |
|  |  |  |  |  |  |  |
|  |  |  |  |  |  |  |



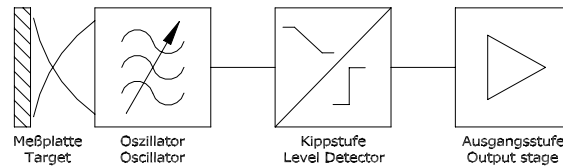
### Funktionsprinzip induktiv

Der Näherungsschalter ist ein berührungslos und somit verschleißfrei arbeitender Grenztafter. Seine Betätigung erfolgt durch ein Metall, das in die Nähe der aktiven Fläche dieses Grenztafters gebracht wird. Im Prinzip besteht ein induktiver Näherungsschalter aus einem Hochfrequenzoszillator, einer Kippstufe und einem nachgeschalteten Verstärker.

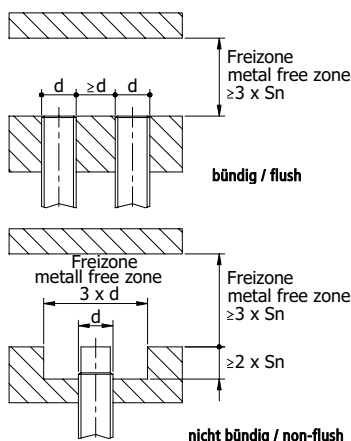
Der Oszillator erzeugt über dem aktiven Teil des Gerätes ein hochfrequentes Wechselfeld. Wird in dieses Feld ein elektrisch leitendes Material (Stahl, Kupfer, Aluminium) getaucht, so bilden sich in diesem Material Wirbelströme aus, die dem Oszillator Energie entziehen. Die Oszillator-Spannung sinkt und die nachgeschaltete Kippstufe führt einen Wechsel des Ausgangsschaltzustandes herbei.

### Operating principle (inductive)

Inductive proximity sensors provide an excellent means for detecting the presence of a wide range of metallic targets. This detection is accomplished without contacting the target and is mechanically wear-free. In principle, an inductive prox. switch is comprised of a high frequency oscillator circuit followed by a level detector and a post amplification signal circuit that drives a buffered solid state output. In effect, when a metallic object is brought within the effective area of the oscillator, a damping action results which reduces the amplitude of the oscillator. The amplitude shift is converted to a digital signal by the level detector (i.e.: a Schmitt trigger) which drives a buffer stage. When the object is removed, the oscillator and the digital output are returned to its former state.



| Je nach Anwendungsfall und Umwelteinfluss sind die Näherungsschalter mit folgenden Gehäusematerialien lieferbar. |  | The following housing materials are available depending upon their application. |   |
|--|--|---|---|
| Gehäusematerial  | Anwendungsfall   | Housing materials   | Application   |
| <b>Messing</b>   | Allg. Maschinenbau, Be- und Verarbeitungsmaschinen, Verpackungs- und Textilmaschinen, Transferstraßen, Kunststoffverarbeitungsmaschinen, Holzverarbeitungsmaschinen, Förderanlagen, für Automatisierungsaufgaben.          | <b>Brass</b>  | The chrome plated brass material is used in a wide range of process control- and manufacturing machines, textile- and conveying machines, plastic molding machines, robotics, wood working machines, most general automation tasks.                   |
| <b>Edelstahl-Rostfrei</b>  | Ernährungs- und Genussmittel-Industrie, Chemie-Industrie sowie überall, wo eine hohe Gehäusefestigkeit verlangt wird.  | <b>Stainless Steel</b>  | This material is primarily used in food processing or chemical industries where a rust-free and rugged housing is required.   |
| <b>Kunststoff</b>  | Allgemeiner Maschinenbau, Be- und Verarbeitungsmaschinen, Verpackungsmaschinen, Transferstraßen, Kunststoff- und Holzverarbeitungsmaschinen, Textilmaschinen, Förderanlagen sowie für allgemeine Automatisierungsaufgaben. | <b>Plastic</b>  | The applications of plastic housings are similar to those for brass (i.e.: packaging, textile, wood working and general automation machines). The user has to decide whether the brass or plastic housing is more appropriate in the end application. |
| <b>TEFLON®</b>   | Ernährungs- und Genussmittel-Industrie, Chemie-Industrie sowie überall dort, wo eine Beständigkeit gegen Säuren, Laugen, aggressive Öle, Fette etc. verlangt wird.   | <b>TEFLON®</b>  | A TEFLON® housing is very appropriate in food-processing and chemical industries. It is resistant to acid and caustic substances as well as to corrosive oils/fats.   |



### Definitionen gemäß EN60947-5-2 (DIN VDE 0660)

#### Einbau in Metall Bündiger Einbau

Näherungsschalter für bündigen Einbau können bis auf die Ebene der aktiven Fläche von Metall umgeben sein, ohne dass seine Kennwerte dadurch beeinträchtigt werden. Bei Reihenmontage ist ein Abstand von einem Näherungsschalter-Ø einzuhalten. Eine Unterschreitung des Abstandes ist unter Einschränkung der technischen Werte möglich.

#### Nichtbündiger Einbau

Näherungsschalter für nichtbündigen Einbau in Metall müssen an der aktiven Fläche eine Freizone haben oder von nicht-bedämpfendem Material umgeben sein. Freizone: 3 x Ø.

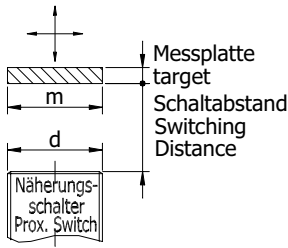
### Definitions according to EN60947-5-2 (DIN VDE 0660)

#### Mounting in Metal Shielded (flush mounting)

Shielded proximity switches can be mounted in a metallic material with no loss in sensor performance as long as the active surface of the sensor either protrudes, or in the worst case, is mounted flush with the metal surface. For standard models, each sensor must have at least one Ø of clearance to other sensing surfaces.

#### Unshielded (non-flush mounting)

Proximity switch models of this kind require a metal-free zone of three times its own Ø around its active sensing surfaces. The only other alternative is to provide a non-metallic insert with the required dimensions of the metal free zone: 3 x Ø.



### Schaltabstand S

Der Schaltabstand ist der Abstand, bei dem eine sich der aktiven Fläche des Sensors nähernde Messplatte einen Signalwechsel bewirkt (Messmethode nach EN 50010).

### Switching Distance S

The switching distance is the distance where a signal state change is induced in the prox. switch when a target is close enough to be recognized by the proximity device's sensor circuitry (i.e.: test method according to EN 50010).

### Nennschaltabstand $S_n$

Der Nennschaltabstand ist eine Kenngröße, bei der Exemplarstreuungen und Abweichungen oder äußere Einflüsse wie Temperatur und Spannung nicht berücksichtigt sind.

### Nominal Switching Distance $S_n$

The nominal switching distance is defined as the distance which does not include variations due to temperature and voltage fluctuations, mounting media, and manufacturing tolerances (i.e.: the design parameters).

### Realschaltabstand $S_r$

Der Realschaltabstand ist der Schaltabstand eines Sensors, der die zulässige Fertigungstoleranz bei Nenntemperatur und Nennspannung berücksichtigt ( $\pm 10\%$  des Nennschaltabstandes).

$$0,9S_n \leq S_r \leq 1,1S_n$$

### Effective Switching Distance $S_r$

The effective switching distance for an inductive proximity switch is that distance which accounts for permissible production tolerance variations at defined voltage and temperature conditions ( $\pm 10\%$  of Nom. Switching distance).  $0,9S_n \leq S_r \leq 1,1S_n$

### Nutzschaltabstand $S_u$

Der Nutzschaftabstand ist der Schaltabstand eines Näherungsschalters, der unter festgelegten Temperatur- und Spannungsbedingungen gemessen wird.

$$0,9S_r \leq S_u \leq 1,1S_r$$

### Usable Sensing Distance $S_u$

The usable sensing distance is the distance of a prox. switch which is measured under permissible temperature and voltage conditions.

$$0,9S_r \leq S_u \leq 1,1S_r$$

### Arbeitsabstand $S_a$

Der Arbeitsabstand ist jeder Abstand, der einen sicheren Betrieb des Sensors unter den angegebenen Temperatur- und Spannungsbedingungen gewährleistet. Er kann 0 bis 81% des Nennschaltabstandes (kleinster Nutzschaftabstand) betragen.

$$0 \leq S_a \leq 0,9 \times 0,9 S_n$$

### Working Distance $S_a$

The working distance is the distance which guarantees the safe operation of the prox. switch under established temperature/voltage conditions. It is defined 0 to 81% of the Nominal Sensing distance (i.e.: the smallest usable sensing distance).

$$0 \leq S_a \leq 0,9 \times 0,9 S_n$$

### Messplatte

Die aufgeführten Schaltabstände beziehen sich auf eine quadratische Messplatte aus Stahl St37, 1mm dick, Seitenlänge  $m$  gleich dem  $\varnothing d$  des eingeschriebenen Kreises auf der aktiven Fläche. Eine Verwendung anderer Metalle als Messplatte reduziert den Schaltabstand. Folgende Korrekturfaktoren des Schaltabstandes sind zu berücksichtigen:

|           |                          |
|-----------|--------------------------|
| Edelstahl | ca. 0,8 x $S_n$          |
| Aluminium | ca. 0,4 x $S_n$          |
| Messing   | ca. 0,5 x $S_n$          |
|           | (ist legierungsabhängig) |

Kupfer ca. 0,3 x  $S_n$   
Kreisförmige oder kleinere Messplatten verkleinern den Schaltabstand. Sie müssen tiefer in das aktive Feld des Sensors eindringen um einen Signalwechsel zu bewirken. Dünne Folien vergrößern den Schaltabstand.  $S_n = EN 50010$  (DIN VDE 0660).

### Target Considerations

For all published switching distances, a standard square target is made from 1mm thick steel material (St37) with a side length "m" equal to the  $\varnothing$  "d" of the sensor's active surface. The use of other metals will have the effect of reducing the switching distances. The following is a list of common materials and their calculable correction factors:

|                 |                      |
|-----------------|----------------------|
| Stainless Steel | ca. 0,8 x $S_n$      |
| Aluminum        | ca. 0,4 x $S_n$      |
| Brass           | ca. 0,5 x $S_n$      |
|                 | (is alloy dependent) |
| Copper          | ca. 0,3 x $S_n$      |

Spherical or smaller targets will result in a smaller working distance and hence, the normal sensing distances will be reduced. On the other hand, thin foils or large targets will slightly increase the sensing distance.  $S_n = EN 50010$  (DIN VDE 0660).

### Reproduzierbarkeit R

Die Reproduzierbarkeit gibt die Wiederholgenauigkeit des Nutzschaftabstandes von zwei aufeinander folgenden Schaltungen innerhalb 8 Stunden an (Umgebungstemp. von 15°-30°C und einer Spannung, die max. 5% von der Nennspannung abweicht).

### Repeatability R

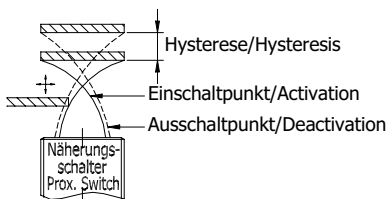
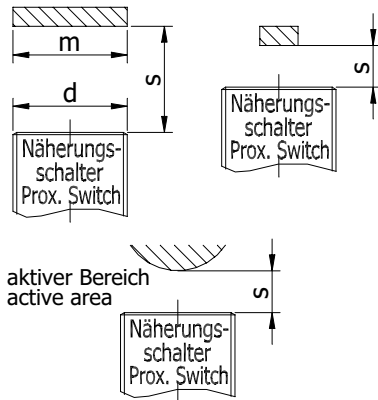
The repeatability of the usable switching distance is measured by performing two consecutive measurements within 8 hours at a housing temperature of 15° to 30 °C. During this test period, the supply voltage variation must not exceed  $\pm 5\%$ .

### Schalthyterese H

Die Schalthyterese ist die Differenz zwischen dem Einschaltpunkt bei Annäherung des Messplättchens und dem Ausschaltpunkt bei Entfernung von der aktiven Fläche des Näherungsschalters.

### Switching Hysteresis (H)

The switching hysteresis is the difference between the switch activation distance with the target approaching the active surface of the proximity switch and the deactivation distance when the target is moved away from the sensing surface.



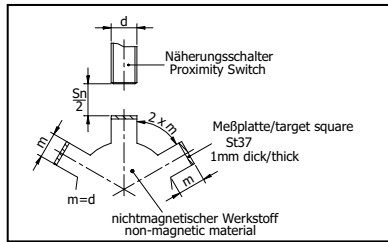


### Schaltfrequenz f

Maximal mögliche Anzahl von Schaltungen/Sekunde. Maßgebend ist die Baugröße der Sensoren. Im Vergleich zu den Gleichspannungsausführungen arbeiten die Wechsellspannungsausführungen mit niedrigeren Schaltfrequenzen

### Switching Frequency f

The switching frequency of a device is defined as the maximum number of targets that can be sensed in one second. The switching frequency depends upon the size of the proximity switch's sensing surface. In comparison, A.C. models have inherently lower switching frequencies than D.C. models.



Genormtes Messverfahren zur Ermittlung d. Schaltfrequenz.  
Standardized measuring method for determination of the switching frequency.

### Versorgungsspannung U<sub>B</sub>

Spannungsbereich für welchen die Sensoren konstruiert sind. Es kann innerhalb dieses Bereiches jede beliebige Spannung als Betriebsspannung gewählt werden, diese darf jedoch nur um den Wert der Restwelligkeit schwanken. Die Grenzwerte dürfen nicht über-/ unterschritten werden.

### Restwelligkeit U<sub>w</sub>

Die Restwelligkeit ist die zulässige Wechsellspannungsüberlagerung (Spitze-Spitze) bezogen auf die Betriebsspannung.

### Spannungsabfall U<sub>D</sub>

Der Spannungsabfall U<sub>D</sub> ist die Spannung über dem Schalterausgang.

### Schaltbare Kapazität C<sub>A</sub>

Die schaltbare Kapazität ist die max. Last-Kapazität für Gleichspannung-Näherungsschalter beim Schalten einer C-Last.

### Kurzzeitstrom I<sub>k</sub>

Der Kurzzeitstrom ist der Höchstwert eines Stromes, der für eine bestimmte Zeit im Einschaltmoment fließen darf.

### Laststrom I<sub>A</sub>

Der Laststrom ist der maximale Strom, mit dem ein Näherungsschalter im Dauerbetrieb belastet werden kann in Abhängigkeit von der Umgebungstemperatur.

### Mindestlaststrom I<sub>Q0</sub>

Der Mindestlaststrom ist der Strom, der mindestens über die Last fließen muss um eine sichere Funktion des Näherungsschalters zu gewährleisten.

### Anspruchstrom I<sub>QK</sub>

Der Anspruchstrom ist der Abschaltstromwert für den Kurzschluss- und Überlastungsschutz der Ausgangsstufe.

### Leerlaufstrom I<sub>0</sub>

Der Ruhestrom ist der Eigenstromverbrauch des Näherungsschalters im nicht bedämpften Zustand.

### Reststrom I<sub>R</sub>

Der Reststrom ist der Strom, der bei gesperrtem Schalter über die Last fließt.

### Schutzmaßnahmen der Gleichspannungsversionen (Kurzschlusschutz)

Bis auf wenige Ausnahmen sind alle Näherungsschalter für Gleichspannung dauer-kurzschlussfest. Nach Beseitigung des Kurzschlusses ist der Sensor sofort wieder funktionsfähig. Der Ausgang des kurzschlussfesten Sensors wird ständig durch eine Schutzschaltung auf Kurzschluss oder Überlastung hin überwacht. Im Falle eines Kurzschlusses oder einer Überlastung wird sofort die Schutzschaltung aktiv und die Ausgangsstufe getaktet.

| Schaltfrequenzen der Gleichspannungsausführungen<br><i>Guaranteed Switching Frequencies For D. C. Models</i> |                                  |       |
|--|----------------------------------|-------|
| Nennschaltabstand S <sub>n</sub><br><i>Nom. Switching Distance S<sub>n</sub></i>                             |                                  | Hz    |
| bündig<br><i>shielded</i>  | nichtbündig<br><i>unshielded</i> |       |
| 0,8 mm   | -                                | 2.000 |
| 1,0 mm   | -                                | 1.000 |
| 1,5 mm   | -                                | 2.000 |
| 2,0 mm   | 2,0 mm                           | 800*  |
| 4,0 mm   | -                                | 800   |
| -  | 4,0 mm                           | 400   |
| 5,0 mm   | -                                | 500   |
| 6,0 mm   | 6,0 mm                           | 400   |
| -  | 8,0 mm                           | 500   |
| 10,0 mm  | 10,0 mm                          | 300   |
| 15,0 mm  | 15,0 mm                          | 100   |
| 20,0 mm  | 20,0 mm                          | 100   |
| 25,0 mm  | -                                | 50    |
| -  | 25,0 mm                          | 100   |
| -  | 30,0 mm                          | 50    |

| Schaltfrequenzen der Wechsellspannungsausführungen<br><i>Guaranteed Switching Frequencies For A. C. Models</i> |                                  |    |
|--|----------------------------------|----|
| Nennschaltabstand S <sub>n</sub><br><i>Nom. Switching Distance S<sub>n</sub></i>                               |                                  | Hz |
| bündig<br><i>shielded</i>  | nichtbündig<br><i>unshielded</i> |    |
| 2 mm - 50 mm   |                                  | 25 |

\* Näherungsschalter mit erhöhten Schaltfrequenzen auf Wunsch lieferbar.  
\* *Prox. switches with higher switching frequencies are available on request.*

### Supply Voltage V<sub>B</sub>

The supply voltage is the nominal power supply voltage that the specified proximity switch should have on its appropriate terminals. The selected applied device supply voltage should not deviate from the permitted ripple.

### Ripple V<sub>w</sub>

Ripple is the A.C. voltage, peak to peak, that is superimposed on the supply voltage (V<sub>B</sub>).

### Forward Voltage Drop V<sub>D</sub>

The forward voltage drop V<sub>D</sub> is the voltage across the proximity switch's output when it is in the conductive state.

### Switching Capacity C<sub>A</sub>

The switching capacity is the maximum parasitic load capacity that the D.C. proximity switch outputs can handle.

### Inrush Current I<sub>k</sub>

The inrush current is specified as the maximum current that can occur the moment the load is activated.

### Load Current I<sub>A</sub>

The load current, when specified, is the maximum current, that the output of a proximity switch can accommodate when it is in the "ON" state.

### Minimum Holding Current I<sub>Q0</sub>

The minimum holding current specification is usually used in respect to A.C. models only. It specifies the minimum current that has to be applied to the output of the proximity switch for proper operation.

### Leakage Current I<sub>QK</sub>

The leakage current refers to the residual current that flows through the output stage of the proximity switch when the device is in the non-conductive state.

### Quiescent Current I<sub>0</sub>

This current is specified as the power supply current that is discharged to the load when the switch is locked.

### Residual Current I<sub>R</sub>

Means the current that is discharged to the load when the switch is locked.

### Electrical Output Protection on D.C. Models (Short Circuit Protection)

Apart from a few exceptions, all D.C. prox. switches incorporate short circuit protection. Upon removal of the short circuit across the proximity switch, the output resumes its normal operation. The output of these short circuit proof models is constantly monitored by a unique circuit. When a short circuit or overload occurs, this safety circuit is activated. Depending upon the nature of the overload problem, the output of the proximity switch is pulsed.

Dagegen spricht der Kurzschlusschutz nicht an bei:

- Störimpulsen aus verseuchten Industrienetzen
- großen Parallelkapazitäten, z. B. verursacht durch lange Leitungen
- Auf- und Entladen von Kondensatoren

### Verpolungsschutz

Eine Leitungsvertauschung von Plus, Minus oder Ausgang führt nicht zur Zerstörung des kurzschlussfesten Näherungsschalters. Nur bei ordnungsgemäßem Anschluss ist der Schalter funktionsfähig. Die Geräte ohne Kurzschlusschutz sind geschützt gegen Polaritätsvertauschung der Betriebsspannung.

### Drahtbruchschutz

Bei Unterbrechung einer Zuleitung wird der Ausgang gesperrt.

### Abschaltenschutz

Die Ausgangsstufen der Näherungsschalter sind mit einer Schutzbeschaltung gegen Abschaltspannungsspitzen, die durch induktive Verbraucher erzeugt werden, geschützt.

### LED-Funktionsanzeige

Die LED zeigt den Ausgangszustand des Näherungsschalters an.

The short circuit/overload protection is resistant to:

- Interference pulses from noisy industrial networks
- Capacitive effects caused by long cable length
- Charging and discharging of capacitive loads
- Turn off protection

### Protection Reverse Polarity

Any exchange of the proximity switch's out-put leads with the power supply leads and the signal leads will not damage the electric circuitry. The feature is included in all D.C. models. It is worth nothing, however, that damage can occur when the output of a non-short-circuit protected device is connected to the power supply terminals.

### Interrupted Supply / Output Protection

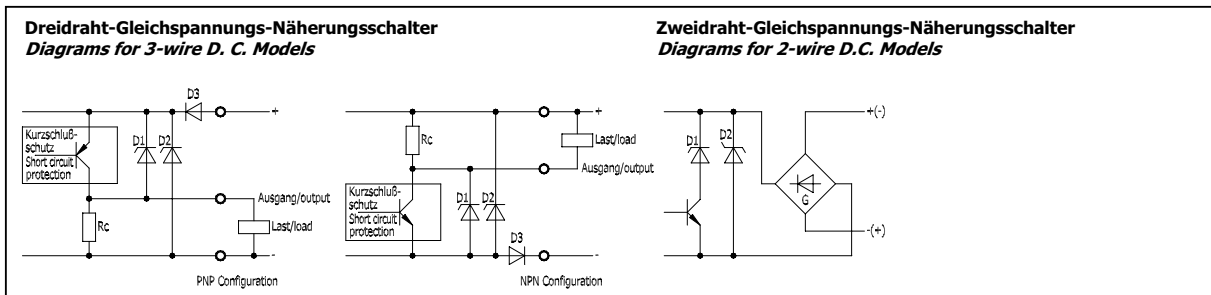
The proximity switch output is disabled when the cable connections are broken.

### Switching Current Ranges

All devices are capable of switching a wide variety of load currents. They can drive integrated circuits and sensitive relays as well as higher loads such as contactors and electric solenoids.

### LED Models

The LED indicates the state of the proximity switch's output.



D 1: Zenerdiode zur Spannungsspitzenbegrenzung / Glitch limiting zener diode

D 2: Zenerdiode zur Spannungsbegrenzung / Catching zener diode

D 3: Verpolungsschutzdiode / Reverse battery protection diode

### Schutzmaßnahmen der Wechselspannungsausführungen

*Device Protection for A.C. Models:*

#### Spannungsspitzen-Begrenzung

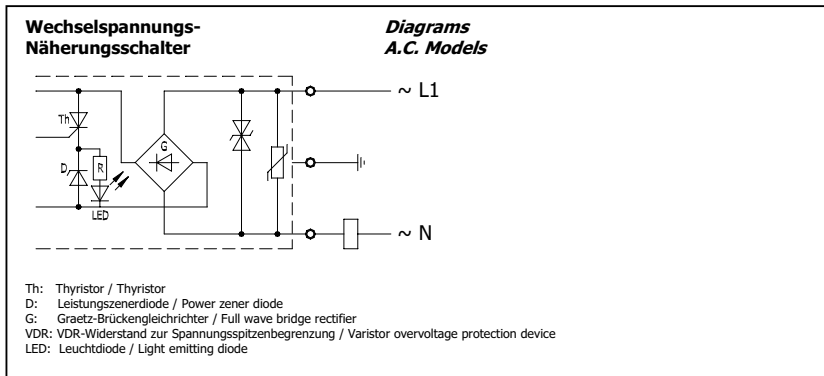
Im Ausgang des Wechselspannungs-Sensors ist ein VDR-Widerstand zur Spannungsspitzenbegrenzung vorgesehen.

#### Overvoltage and DV/DT Protection

The A.C. output circuit of the proximity switch is supplied with a parallel connected varistor.

#### Ausgangsschaltung

#### Equivalent Output



### Schock- und Rüttelbeanspruchung

nach IEC 68-2-6 und 68-2-27

Schock  $b \leq 30 \text{ g}$ ,  $t \leq 11 \text{ ms}$ ,

Schockform 1/2 Sinus,

Rüttel  $f \leq 55 \text{ Hz}$ ,  $a \leq 1 \text{ mm}$ .

Höhere Schock- und Rüttelfestigkeit auf Anfrage!

### Shock and Vibration Characteristics

According to IEC 68-2-6 and 68-2-27

Shock  $b \leq 30 \text{ g}$ , for  $t \leq 11 \text{ ms}$ , with a 1/2 sine wave profile. Vibration characteristics conform to frequency,  $f \leq 55 \text{ Hz}$  with amplitude  $a \leq 1 \text{ mm}$ .

Higher shock and vibration resistance can be realized on request!

### Schutzart

Die angegebenen Schutzarten wurden entsprechend DIN EN 40050 ermittelt. Bei extremen Umweltbedingungen empfehlen wir den Gebrauch von Kabelschutzhülchen.

### Environmental Protection

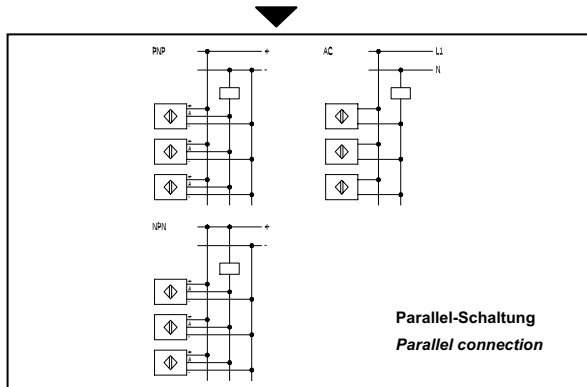
The environmental protection of these devices is conform with DIN EN 40050. In case that abnormal environmental conditions occur, we suggest that interconnection cables with a protective covering should be used.

### Parallel-Schaltung (ODER-Funktion)

Das Relais spricht an, wenn ein parallel geschalteter Näherungsschalter durch Metall bedämpft ist.

### Wechselspannungsausführungen

Die Anzahl der parallel zu schaltenden Näherungsschalter ist begrenzt, da sich die Restströme der einzelnen Geräte zum Gesamtstrom addieren.



### Reihen-Schaltung (UND-Funktion)

Das Relais spricht an, wenn alle in Reihe geschalteten Näherungsschalter durch Metall bedämpft sind.

### Gleichspannungsausführung

Durch den Spannungsabfall von ca. 2,5 V je Näherungsschalter ist die Anzahl der in Reihe zu schaltenden Geräte begrenzt.

### Wechselspannungsausführungen

Es können bis zu 2 Geräte in Reihe geschaltet werden. Durch den Spannungsabfall von ca. 8 V je Gerät sind entsprechend die Schutzspulen für kleinere Nennspannungen auszulegen.

### Anschlusskabel

Versionen mit Festkabel werden standardmäßig mit 2 m LiYY-Kabel mit PVC-Mantel geliefert. Anderes Kabelmaterial und abweichende Kabellängen auf Anfrage.

### EMV

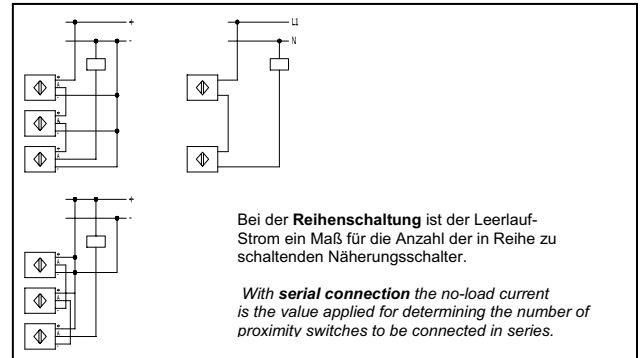
Prüfungen und Grenzwerte für Näherungsschalter (induktiv, kapazitiv und elektronische Magnetschalter) sind in der harmonisierten Produktnorm EN 60947-5-2, für Reed-Magnetschalter in der Produktnorm EN 60947-5-1 festgelegt.

### Parallel Connected Proximity Switches

For this type of switch connection, where all devices used are assumed to be in the open mode in their quiescent state, the load is activated by the presence of a target. This is, in effect, an "OR" function.

### A.C. Models

The limitation to the number of proximity switches that can be connected in parallel is dependent upon the additive effects of the off-state leakage currents of the A.C. devices. For this reason, it is recommended that only two A.C. devices are used in parallel.



### Series connected Proximity Switches

For this type of proximity switch connection, where all devices used are assumed to be in the open mode in their quiescent state, the load is only activated by the presence of a target effecting all connected switches. This is, in effect, an "AND" function.

### D.C. Models

Because of the 2,5 Volt drop of each of the proximity switches, the number of devices that are installed in series is limited.

### A.C. Models

Up to 2 devices may be connected in a row. A sufficient total supply voltage has to be assured to allow each device a minimum of 8 Volts across each of the device terminal.

### Connecting Cables

In general, our proximity switches (if not equipped with a connector) are supplied with a 2 meter LiYY cable with a PVC jacket. Other cable materials and variations are available on request.

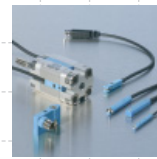
### EMC

Tests and limit values for proximity switches (inductive, capacitive, and electronic magnetic switches) are defined according to the harmonized product standard EN 60947-5-2, and magnetic reed switches according to EN 60947-5-1.

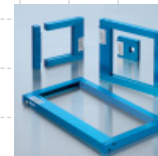
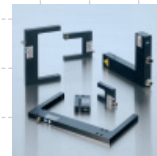


## Die ganze Welt der Sensorik

### World of Sensors



- ▶ Gabellichtschranken
- ▶ Rahmenlichtschranken
- ▶ Fadenbruchwächter
- ▶ Einweglichtschranken
- ▶ Reflexionslichtschranken
- ▶ Reflexionslichttaster
- ▶ Laser-Lichtschranken
- ▶ Lichtleitkabel
- ▶ Lichtvorhänge
- ▶ Induktive und optische Ringsensoren
- ▶ Induktive und kapazitive Näherungsschalter
- ▶ Zylinderschalter
- ▶ Magnetschalter
- ▶ Ultraschallsensoren
- ▶ Strömungsmesser
- ▶ Anschlusstechnik
- ▶ Sonderentwicklungen
- ▶ Photoelectric fork sensors
- ▶ Photoelectric frame sensors
- ▶ Yarn break detectors
- ▶ Through beam sensors
- ▶ Photoelectric reflex sensors
- ▶ Photoelectric proximity sensors
- ▶ Laser sensors
- ▶ Fiber-optic cables
- ▶ Light curtains
- ▶ Inductive and photoelectric ring sensors
- ▶ Inductive and capacitive proximity switches
- ▶ Cylinder switches
- ▶ Magnetic reed switches
- ▶ Ultrasonic sensors
- ▶ Flow sensors
- ▶ Connection technology
- ▶ Customized devices



[www.worldofsensors.com](http://www.worldofsensors.com)

Dietz Sensortechnik  
D-64646 Heppenheim  
Phone: +49 (0)6252 94299-0  
Fax: +49 (0)6252 94299-8  
E-Mail: [info@dietz-sensortechnik.de](mailto:info@dietz-sensortechnik.de)